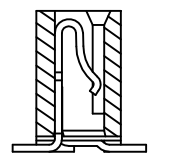
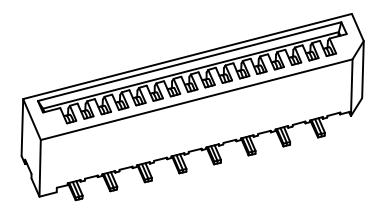
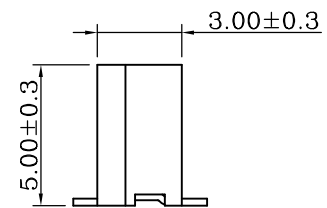
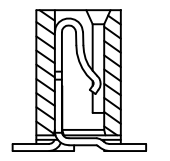


RECOMMENDED P.C.B LAYOUT

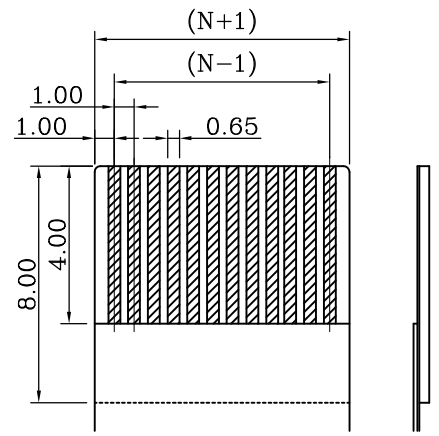
MATERIAL And FINISH:
 1. Housing: PA6T (UL94V-0) Ivory
 2. Contact: Phosphor Bronze, Sn Plated Over Nickel



SECTION:A-A



SECTION:B-B



RECOMMENDED FFC/FPC DIM.

PIN	DIM=A	DIM=B	DIM=C
30P.	33.0	31.08	29.00
29P.	32.0	30.08	28.00
28P.	31.0	29.08	27.00
27P.	30.0	28.08	26.00
26P.	29.0	27.08	25.00
25P.	28.0	26.08	24.00
24P.	27.0	25.08	23.00
23P.	26.0	24.08	22.00
22P.	25.0	23.08	21.00
21P.	24.0	22.08	20.00
20P.	23.0	21.08	19.00
19P.	22.0	20.08	18.00
18P.	21.0	19.08	17.00
17P.	20.0	18.08	16.00
16P.	19.0	17.08	15.00
15P.	18.0	16.08	14.00
14P.	17.0	15.08	13.00
13P.	16.0	14.08	12.00
12P.	15.0	13.08	11.00
11P.	14.0	12.08	10.00
10P.	13.0	11.08	9.00
9P.	12.0	10.08	8.00
8P.	11.0	9.08	7.00
7P.	10.0	8.08	6.00
6P.	9.0	7.08	5.00
5P.	8.0	6.08	4.00

僅供參考

XIAN YI PRECISION CO., LTD. 祥益精密股份有限公司				TITLE / 品名: 1.0mm FPC Connector RoHS				核準發行章	
APPROVE / 核準				PART NO / 料號: F523X-XXP-XXXX				A	
CHECKED / 審查		DRAWING / 繪圖		UNIT / 單位		GENERAL TOLERANCE			
James		Chenrong		mm		X ±0.50 .X ±0.38 .XX ±0.20 .XXX ±0.10			
SHEET 1 OF 1						1.0		圖面僅供參考, 實際尺寸以承認圖為主	
						NO. REV / 版本		修訂內容	
								日期	
8		7		6		5		4	
								3	
								2	
								1	